



FLOW INDICATORS

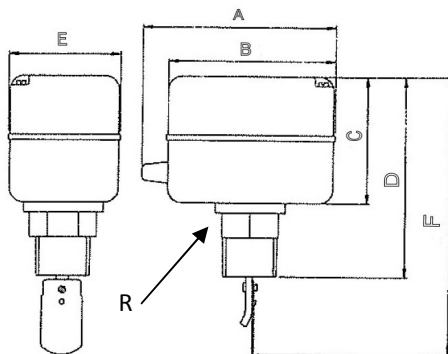
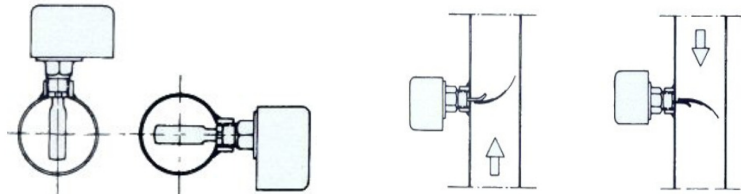
GENEBRE PART: 2848 IP64 PADDLE TYPE FLOW SWITCH



FEATURES

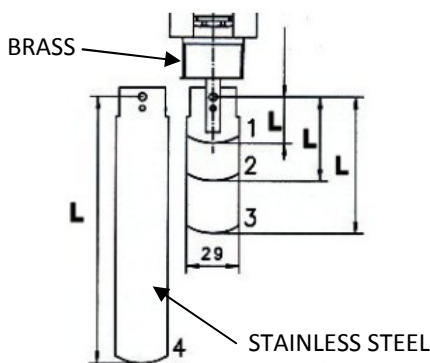
1	IP64 Rated uni-directional liquid flow switch
2	1" BSP male brass connection
3	Max working pressure 10 Bar at ambient temperature
4	Max fluid temperature +110°C, ambient range -20°C to +80°C
5	Switch rating 250V 10A
6	Use to stop pumps running dry when there is no flow
7	Use to sequence the starting of pumps
8	Use as an alarm to advise 'flow' or 'no flow'

TYPICAL INSTALLATION



DIMENSIONS

AVOL REF	R mm	A mm	B mm	C mm	D mm	E mm	F mm	Wt Kg
2848 06	1"	130	108	77	122	63	158	0.8



DIMENSIONS		Minimum adjustment m3/hr		Maximum adjustment m3/hr	
Pipe Ø "	L mm	Switch ON	Switch OFF	Switch ON	Switch OFF
1"	34 (1)	1.3	0.8	2.0	1.6
1 1/4"	34 (1)	1.2	0.7	2.6	2.0
1 1/2"	57 (2)	1.6	1.0	3.3	2.6
2"	57 (2)	3.2	2.2	6.6	6.1
2 1/2"	88 (3)	4.2	3.2	8.0	7.0
3"	88 (3)	6.3	4.7	12.0	11.0
4"	88 (3)	8.5	6.0	18.0	17.0
5"	167 (4)	13.1	9.0	27.0	25.0
6"	167 (4)	17.2	12.0	33.0	31.0
8"	167 (4)	47.0	39.0	94.0	91.0